



Ruggedised Industrial Ethernet Solutions

Available with 4, 6, 8, 12 and 16 Ethernet ports, AMG's Unmanaged switches provide a 100Mbps or Gigabit Ethernet uplink across Multimode or Singlemode fibre via the SFP port.



[AMG91MU-8G-2S]

10/100 up to x16	100 up to x4	Gigabit up to x16	Gigabit up to x4	Temp -10~+60°C	Mounting DIN/Surface

/ OVERVIEW

Every port can automatically sense your type of cable so there is no need for crossover cables whether you are connecting the switch to another switch or a computer and can also automatically sense if the connected network devices are running at 10Mbps, 100Mbps or 1000Mbps and half/full-duplex mode, and adjust accordingly.

Housed in a compact chassis, these DIN rail mountable devices are ideally suited for connecting and powering field based equipment such as IP CCTV cameras and industrial controllers to Ethernet networks over long distances using all types of fibre. Fibre connectivity is determined by separate SFP device selection, providing application and site flexibility.

SFPs and PSUs need to be ordered separately.

NB These products are not user programmable.

/ FEATURES

- Compact size – ideal for confined spaces, including camera poles and roadside cabinets
- -10°C to 60°C temperature – maintains performance in extreme conditions
- Non-programmable – no need for any user configuration or computer setup
- DIN rail mountable – quick to install and remove for maintenance
- Gigabit or 100M SFP port – supports single and multimode, single or dual fibre options up to 120Km
- Gigabit or 10/100M Ethernet copper ports – high bandwidth support
- Auto MDI or MDI-X config – eliminates the need for crossover cables
- Auto-Negotiation (802.3u) – automatically determines the best connection speed
- Automatic Link Restoration - restores operation when recovering from a temporary fault

Specifications.

Standards.

IEEE802.3	10BaseT
IEEE802.3u	100BaseTX
IEEE802.3ab	1000BaseT
IEEE802.3z	1000BaseSX/LX

Jumbo Frames	10Kbytes
--------------	----------

Interface.

LED Indicators

Power:	ON = Link; Flashing = Activity
Fiber Link/Act:	ON = Link; Flashing = Activity
Copper Link/Act:	ON = Link; Flashing = Activity

RJ45 Ports	2x-16x 10/100Tx or 10/100/1000TX RJ45 with Auto MDI/MDI-X
------------	---

SFP Slot	2, 3 or 4x 100M or 1000M
Power	1x 6 pin removable terminal block

Note: Redundant PSUs are supported with fault alarm

Power.

Input	15-24V _{DC}
Consumption	5W Max
Protection	Reverse Polarity, Overload Current

Mechanical.

Casing	Anodised Aluminium
Dimensions	
2 SFP ports	67.7 × 87.5 × 120.4 mm
3 SFP ports	135.4 × 87.5 × 120.4 mm
4 SFP ports	203.1 × 87.5 × 120.4 mm
IP Rating	IP30
Installation	Wall Mount or DIN-Rail
Weight	0.3kg

Packaging.

Shipping Weight	0.52kg
Dimensions	250 × 200 × 65 mm

Environmental.

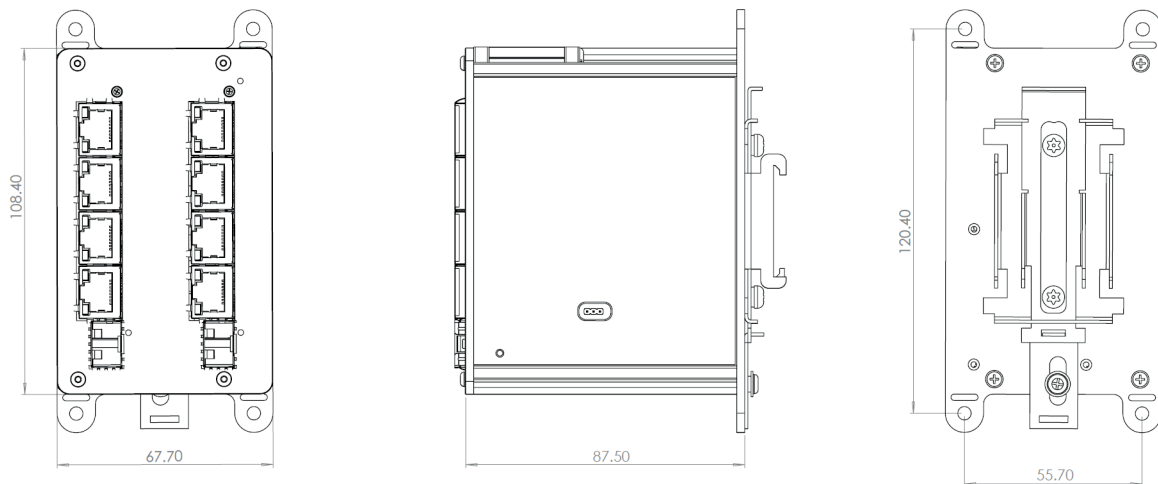
Operating Temp.	--10°C to 60°C
Storage Temp.	-40°C to 85°C
Humidity	5% to 90% (non-condensing)
Compliances	Reach, RoHS and WEEE
MTBF	>949,000 hrs

Regulatory.

Electrical Safety	CE/EN60950-1
Immunity	EN55022
Emissions	EN61000-3-2

*Calculation model based on PoE version at 30 °C

Specifications.



Part Numbers.

AMG9IMU-2F-2S	2 × 10/100Base Ethernet & 2 × 100Base SFP, -10°C to +60°C. 15-24V _{DC} Power Input
AMG9IMU-4F-2S	4 × 10/100Base Ethernet & 2 × 100Base SFP, -10°C to +60°C. 15-24V _{DC} Power Input
AMG9IMU-6F-2S	6 × 10/100Base Ethernet & 2 × 100Base SFP, -10°C to +60°C. 15-24V _{DC} Power Input
AMG9IMU-8F-2S	8 × 10/100Base Ethernet & 2 × 100Base SFP, -10°C to +60°C. 15-24V _{DC} Power Input
AMG9IMU-12F-2S	12 × 10/100Base Ethernet & 2 × 100Base SFP, -10°C to +60°C. 15-24V _{DC} Power Input
AMG9IMU-16F-4S	16 × 10/100Base Ethernet & 4 × 100Base SFP, -10°C to +60°C. 15-24V _{DC} Power Input
AMG9IMU-4T-2S	4 × 10/100Base Ethernet & 2 × 1000Base SFP, -10°C to +60°C. 15-24V _{DC} Power Input
AMG9IMU-2G-2S	2 × 10/100/1000Base Ethernet & 2 × 1000Base SFP, -10°C to +60°C. 15-24V _{DC} Power Input
AMG9IMU-4G-2S	4 × 10/100/1000Base Ethernet & 2 × 1000Base SFP, -10°C to +60°C. 15-24V _{DC} Power Input
AMG9IMU-6G-2S	6 × 10/100/1000Base Ethernet & 2 × 1000Base SFP, -10°C to +60°C. 15-24V _{DC} Power Input
AMG9IMU-8G-2S	8 × 10/100/1000Base Ethernet & 2 × 1000Base SFP, -10°C to +60°C. 15-24V _{DC} Power Input
AMG9IMU-12G-2S	12 × 10/100/1000Base Ethernet & 2 × 1000Base SFP, -10°C to +60°C. 15-24V _{DC} Power Input
AMG9IMU-16G-4S	16 × 10/100/1000Base Ethernet & 4 × 1000Base SFP, -10°C to +60°C. 15-24V _{DC} Power Input

Recommended PSUs.

AMG2001	Standalone PSU, 15V _{DC} , 15W
AMG2002	Standalone PSU, 15V _{DC} , 30W
AMG2004	DIN-Rail mounting PSU, 15V _{DC} , 24W

Notes.

Optional Accessories: SFP modules - Optical/Copper see separate list, need to be ordered separately

Proud to be a British
Manufacturer 